

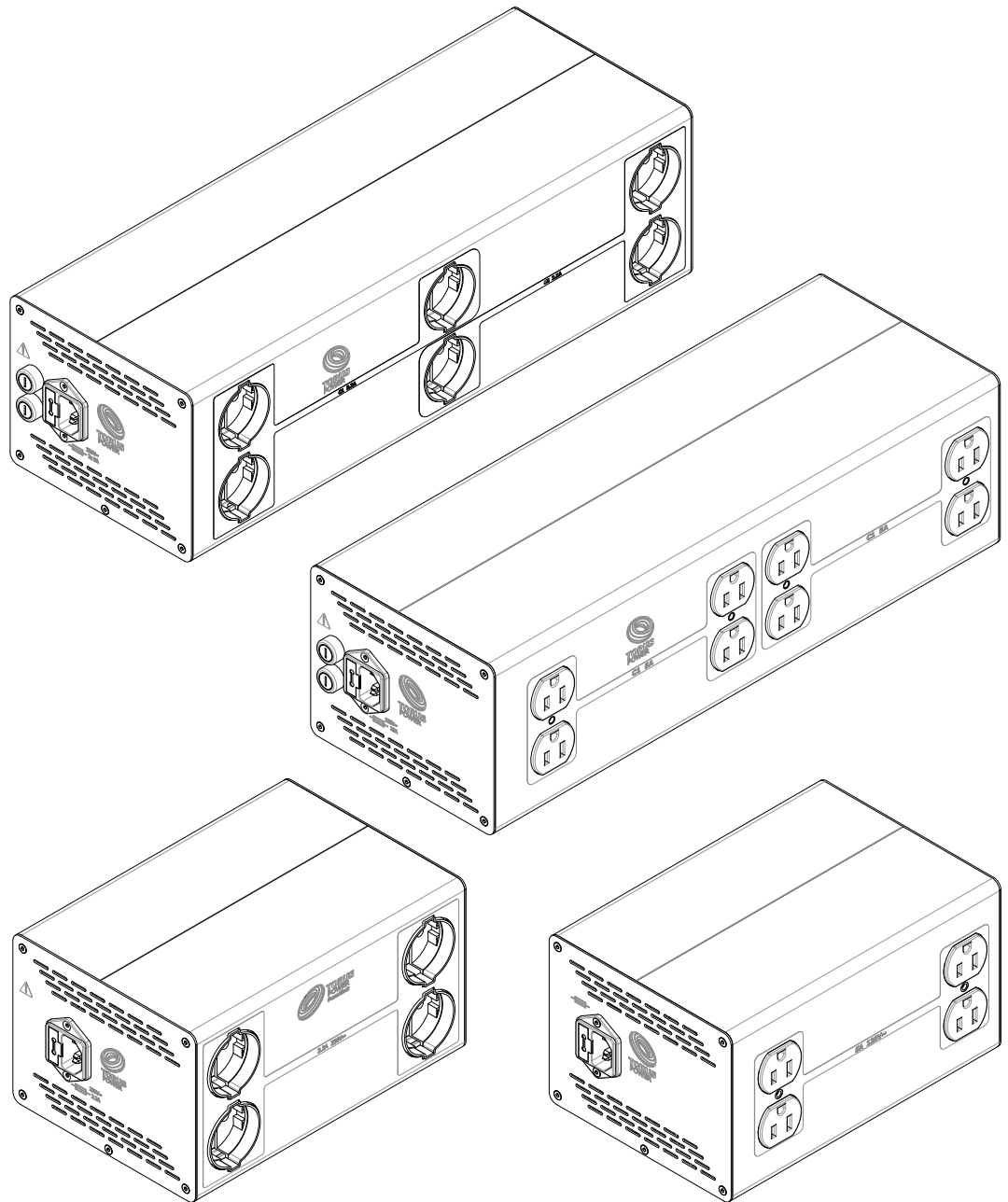


TORUS POWER

Engineered to perform
& protect like no other

Toroidal Isolation
Power Transformers

PowerBlock Series Manual



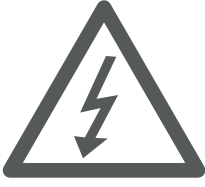
North American and European
PowerBlock Models

Table of Contents

Important Safety Instructions	Page 1
Description	Page 2
Shipping Carton & Packing Material	Page 2
Placement & Ventilation	Page 2
Warranty	Page 2
Front Panel Layout	Page 3
Rear Panel Layout	Page 3
Electrical / Mechanical Specifications	Page 4
Circuit Protection	Page 4
Input Current Rating	Page 4
PowerBlock Options	Page 4
Circuit Schematic: European PB 2 CE & PB 4 CE	Page 5
Circuit Schematic: North American PB 5 & PB 10	Page 6
Layout PB 2 CE & PB 5	Page 7
Layout PB 4 CE & PB 10	Page 8

Alert Notation for Fuses   	Page 4
---	---------------

Important Safety Instructions



CAUTION! To reduce the risk of electric shock and fire, do not remove the cover of this device. There are no user serviceable parts inside. Please refer all servicing to licensed service technicians.

CAUTION! The international symbol of a lightning bolt inside a triangle is intended to alert the user to uninsulated "dangerous voltage" within the device's enclosure. The international symbol of an exclamation point inside a triangle is intended to alert the user to the presence of important operating, maintenance and servicing information in the manual accompanying the device.

CAUTION! To prevent electrical shock, match wide blade of plug to wide slot, fully insert.

CAUTION! To reduce the risk of electrical shock, do not expose this equipment to rain or moisture.



1. Read Instructions—All safety and operating instructions should be read before operating the device.
2. Retain Instructions—The safety and operating instructions should be retained for future reference.
3. Heed Warnings—All warnings on the device and in the operating instructions should be adhered to.
4. Follow Instructions—All operating and safety instructions should be followed.
5. Water & Moisture—The device should never be used in, on or near water for risk of fatal shock.
6. Ventilation—The device should always be located in such a way that it maintains proper ventilation. PB Series Stand-Alone models should never be placed in a built-in installation or anywhere that may impede the flow of air through its ventilation slots.
7. Heat—Never locate the device near heat sources such as radiators, floor registers, stoves or other heat-generating devices.
8. Power Cord Protection—Power cables should be routed so they are not likely to be stepped on or crushed by items placed on them or against them. Special attention should be paid to areas where the plug enters a socket or fused strip and where the cord exits the device.
9. Periods Of Non-Use—The device should be unplugged when not being used for extended periods.
10. Dangerous Entry—Care should be taken that no foreign objects or liquids fall or are spilled inside the device.

11. Damage Requiring Service—The device should be serviced by licensed technicians when:

- The plug or power supply cord has been damaged.
- Objects have fallen or liquid has spilled inside the device.
- The device has been exposed to moisture.
- The device does not appear to be operating properly or exhibits a marked change in performance.
- The device has been dropped or the enclosure becomes damaged.

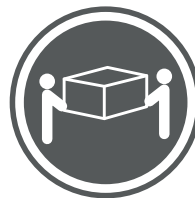
12. Service—The device should always be serviced by licensed technicians. Only replacement parts specified by the manufacturer should be used. The use of unauthorized substitutions may result in fire, shock, or other hazards.

13. Do not position the equipment so that it is difficult to operate the disconnecting device (power cord).

14. If the equipment is used in a manner not specified by the manufacturer, the protection provided by the equipment may be impaired.

15. The power switch should be in the "off" position when connecting or disconnecting equipment from a Torus Power unit.

16. **CAUTION** Some units can be very heavy, please use safe practices when lifting.



≥18 kg (39.7 lb)



≥32 kg (70.5 lb)



≥55 kg (121.2 lb)

Description

Torus PowerBlock **PB 2 CE**, **PB 4 CE**, **PB 5** and **PB 10** are ultra compact and portable toroidal isolation power conditioners, and the most affordable products in the Torus line-up. The compact footprint and rugged construction of PowerBlock models make them convenient for use in almost any situation. They look sharp on or near a component shelf, on any floor surface or can be located elsewhere when space is at a premium. Contact Torus Power for special mounting requirements.

The European **PB 2 CE** is rated at 2.2A and is the ideal accessory to provide true toroidal power conditioning for compact power AV systems, or dedicated to video components (ie. flat panel TVs, projectors); or audio components (i.e. media sources, powered speakers, source components, etc.).

The European **PB 4 CE** is rated at 4.4A and can be used in systems up to its rated output current. PB 4 CE provides true toroidal power conditioning for small and mid-power AV systems, or dedicated to multiple video components and audio components. Contact Torus Power for all other power requirement capacities.

PowerBlock (PB) models provide basic circuit protection with a discrete, molded case surge suppressor.



Shipping Carton & Packing Material

Please keep the original shipping box and all packing material. This will ensure the PB is protected in future transport.

In the unlikely event you have a problem and must return it for service you must use the original packing material.

Ship the PBs only in the original packing material, as the unit is not insurable by carriers otherwise.

Placement & Ventilation

Torus Power PowerBlock models are extremely efficient devices, however, they are also high-power devices, and must be adequately cooled. Floor mounting is permitted.

PowerBlock units have ventilation slots in each end-panel. Maintain at least 5cm (2 inch) distance from each of these surfaces to anything else. Should your installation conditions be constricted, additional forced air-cooling may be necessary.

Do not install the PowerBlock unit directly above heat-generating equipment.

Maintain at least 15cm from the receptacle side of PowerBlock for adequate wiring space.

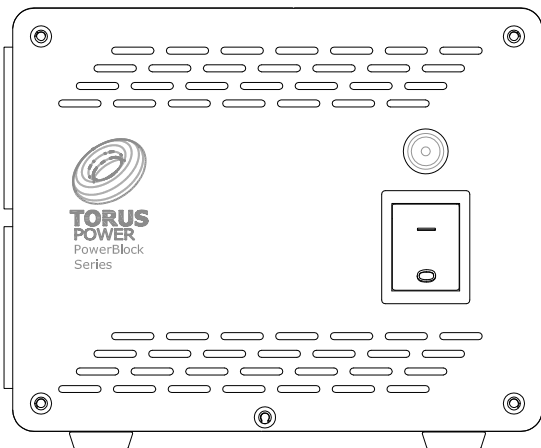
Warranty

Torus Power Inc. products are warranted to be free from manufacturing defects as follows:

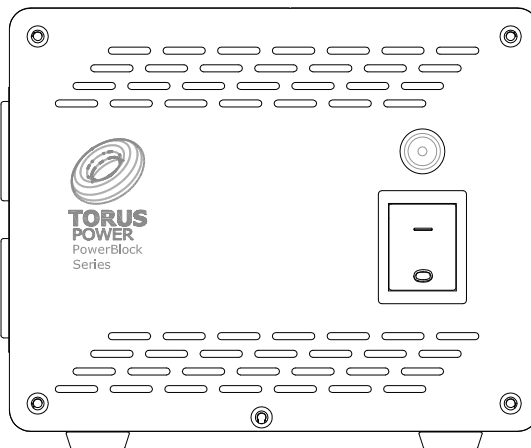
- Five years from the original date of sale for toroidal transformers.
- Two years from the original date of sale for all other components.

The product warranty includes parts, labour and return shipping to the customer. Shipping to Torus Power Inc. for warranty repair is the responsibility of the customer. Warranty coverage is not transferrable and original proof of purchase is required for warranty claims. In the event of a warranty claim, Torus Power Inc. will remedy the issue by repair or replacement, as we deem necessary, to restore the product to full performance. This warranty is considered void if the failure of the product or any component part is caused by damage or misuse. Failure to fully comply with Torus Power operating instructions voids the warranty.

Front Panel Layout



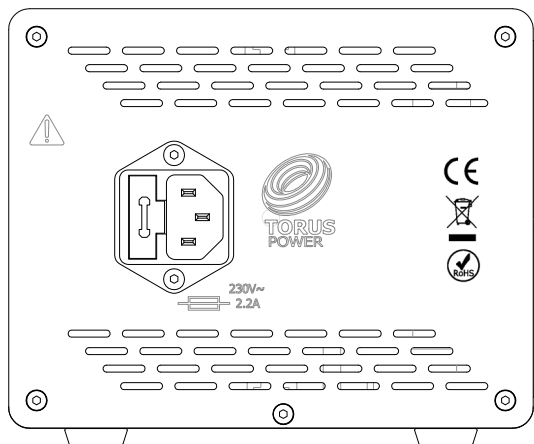
All European PB CE models (without an added Faceplate Kit)



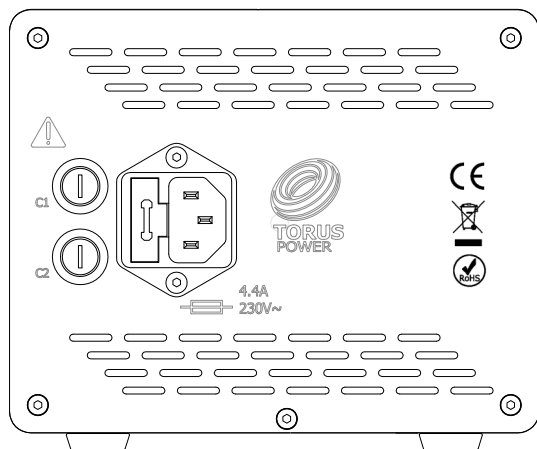
All North American PB models (without an added Faceplate Kit)

Rear Panel Layout

International PowerBlock Models - Continental Europe - CE

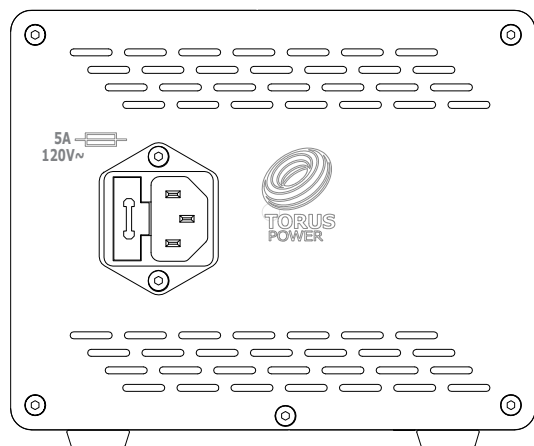


Model PB 2 CE

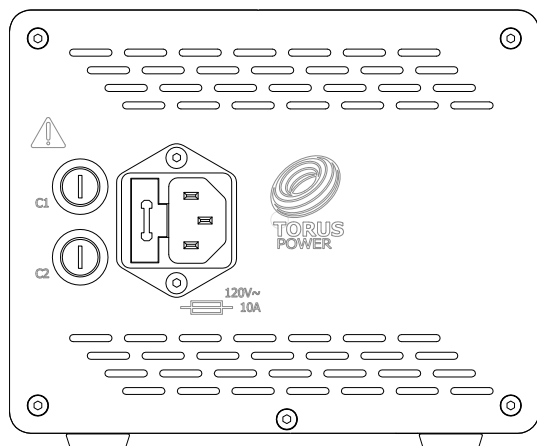


Model PB 4 CE

North American PowerBlock Models




Model PB 5



Model PB 10

Electrical / Mechanical Specifications

	NORTH AMERICAN		CONTINENTAL EUROPE		UNITED KINGDOM		AUSTRALIA
MODEL	PB 5	PB 10	PB 2 CE	PB 4 CE	PB 2 UK	PB 4 UK	PB 4 AUS
CONFIGURATION	PowerBlock SAU (Stand-Alone Unit)						
INTEGRATION	(not rack mountable without optional kit)						
INPUT VOLTAGE	120V		220V - 240V				
OUTPUT VOLTAGE	120V		220V - 240V				
INPUT PROTECTION 	1x 5A FUSE	1x 10A FUSE 2x 5A FUSE	2 X 2.5A FUSE	2 X 5A FUSE 2x 2.5A FUSE	2 X 2.5A FUSE	2 X 5A FUSE 2x 2.5A FUSE	2 X 5A FUSE 2x 2.5A FUSE
OUTPUT CURRENT	5A	10A	2.2A	4.4A	2.2A	4.4A	4.4A
POWER RATING	600VA	2x 600VA	500VA	2x 500VA	500VA	2x 500VA	2x 500VA
FREQUENCY	60Hz		50/60Hz				
NUMBER OF OUTLETS	2 duplex	4 duplex	4	6	4	6	6
INLET TYPE	IEC 10A (UL/VDE) Single Fuse		IEC 5A (UL/VDE) Dual Fuse				
OUTLET TYPE	Duplex 5-15R		SCHUKO CEE 7/4		UK BS1363		AS/NZ3112
WEIGHT (NET)	18 lbs (8.0kg)	31 lbs (14.0kg)	17 lbs (7.8kg)	30 lbs (13.8kg)	17 lbs (7.8kg)	30 lbs (13.8kg)	30 lbs (13.8kg)
DIMENSIONS WxHxD	152x125x232 (6.0x4.9x9.2)	152x125x424 (6.0x4.9x16.7)	156x125x232 (6.2x4.9x9.2)	156x125x424 (6.2x4.9x16.7)	156x125x232 (6.2x4.9x9.2)	156x125x424 (6.2x4.9x16.7)	156x125x424 (6.2x4.9x16.7)

OPTIONS AVAILABLE: (see dealer)

- Mounting Kits
- Region Specific Power Cords

Circuit Protection

Torus Power PB 5 & PB 10 models come with a replaceable fast acting fuse 5mm x 20mm on the input side of the unit. All PB 2 & PB 4 models come with a pair of this fuse type. In addition, PB 10 & PB 4 models use one fuse for each of their two independent circuits. Fuses are safety rated with a high maximum interrupt current (breaking capacity).



When the power is on, the lamp located by the power inlet module is illuminated.

Thermal Protection

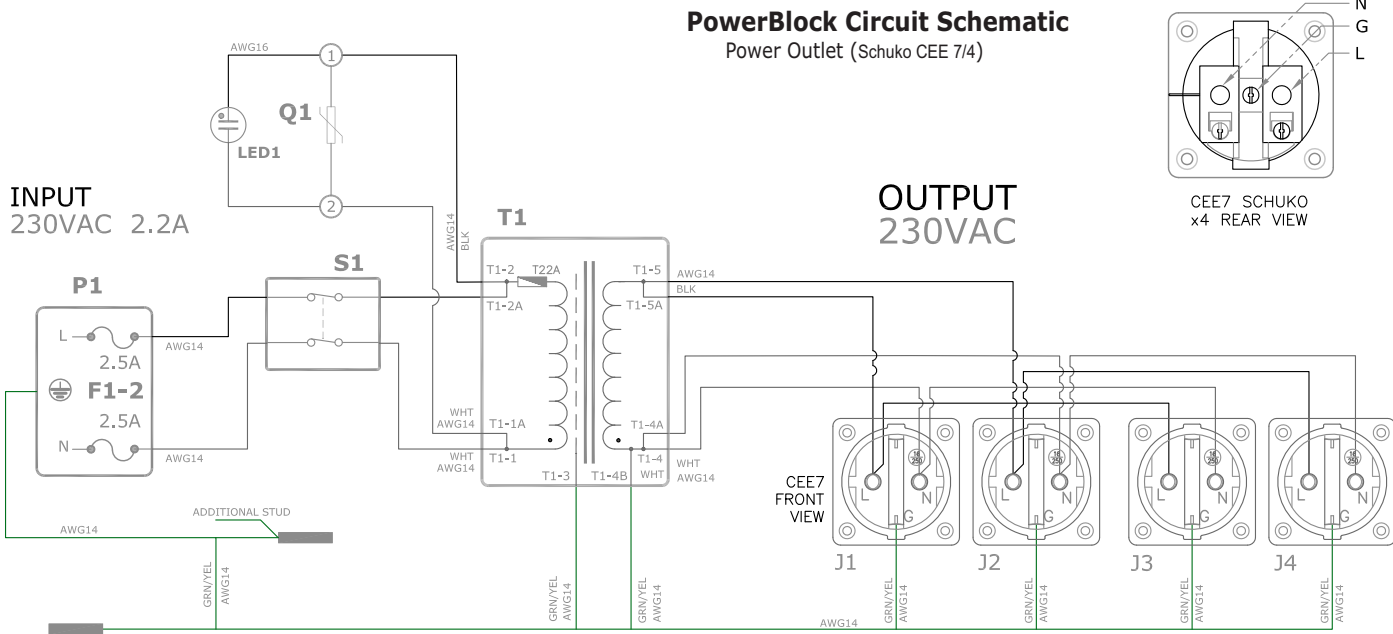
Torus PowerBlock models will shutdown if the internal unit temperature reaches excessive levels.

RoHS Material Compliance

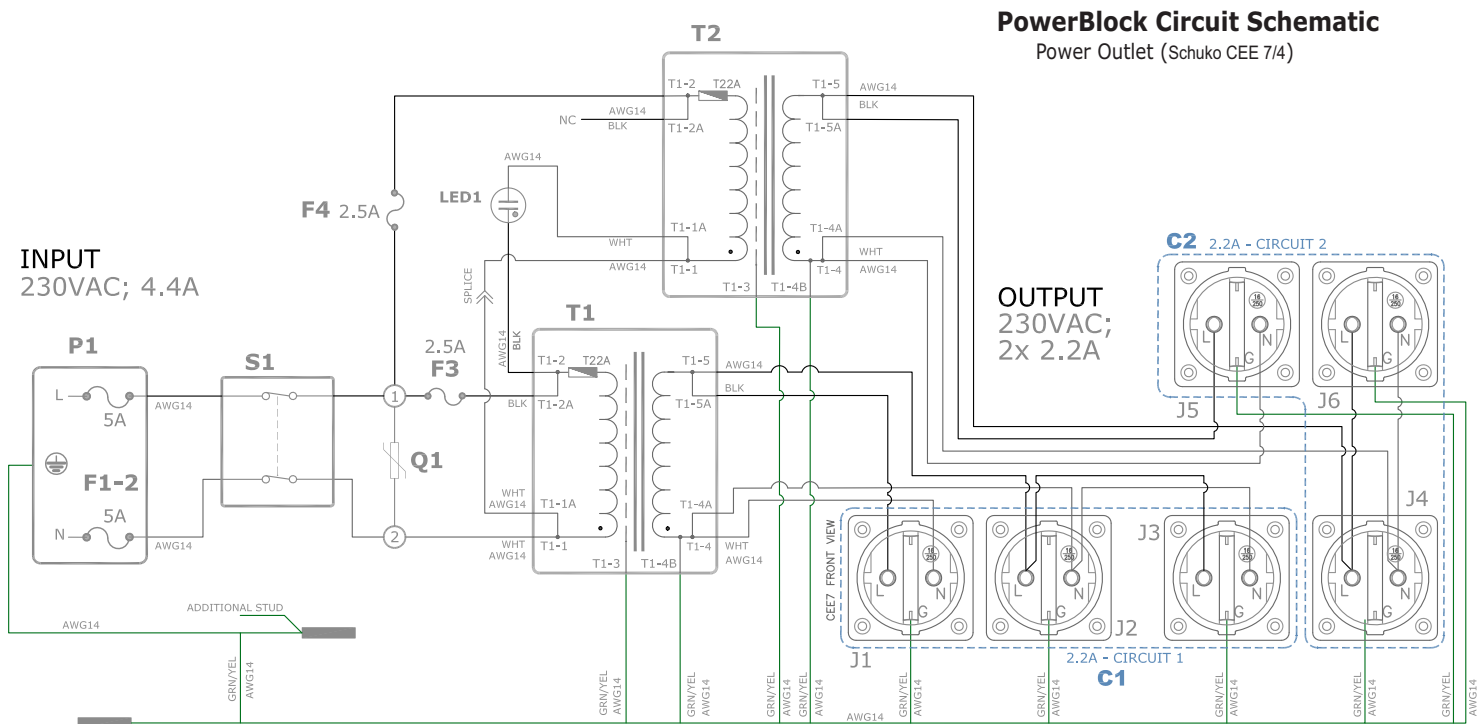


Torus PowerBlock models comply with the European **Restriction of Hazardous Substances** Directive 2011/65/EU, for the restriction of certain hazardous substances in electrical and electronic equipment.

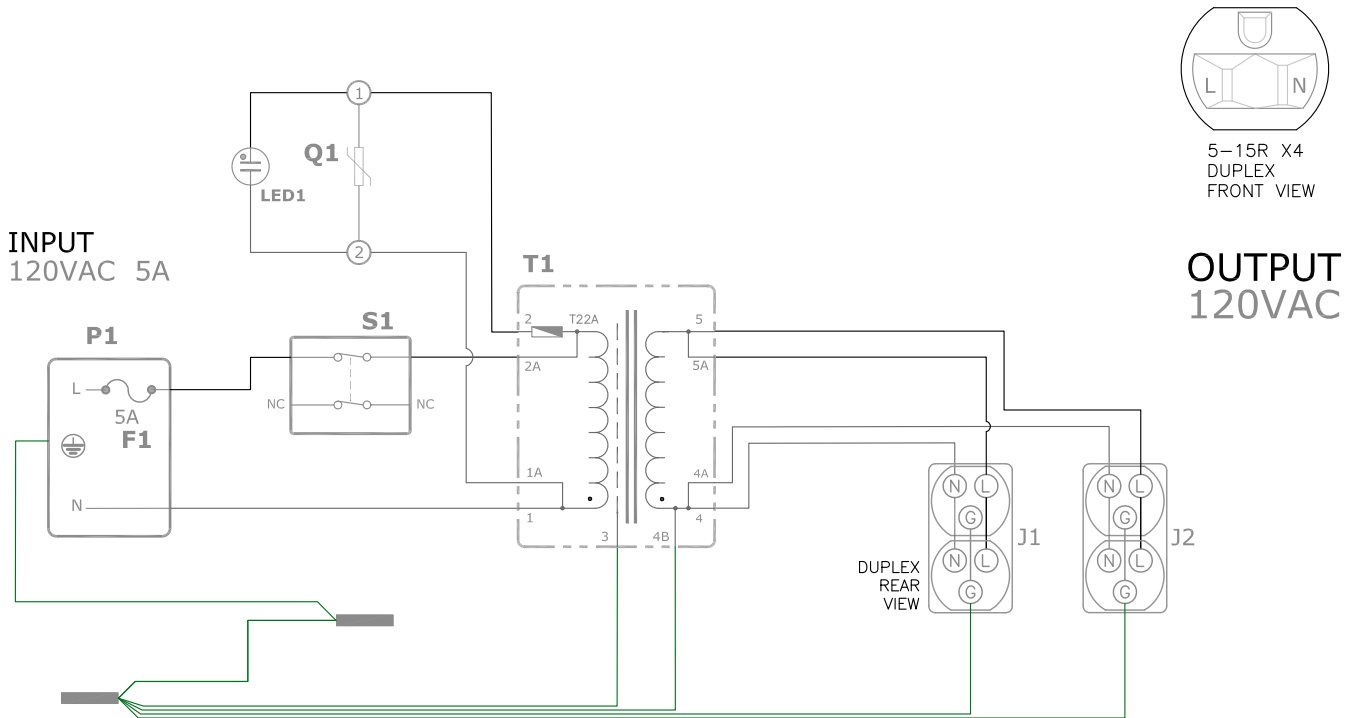
Circuit Schematic - European Model PB 2 CE



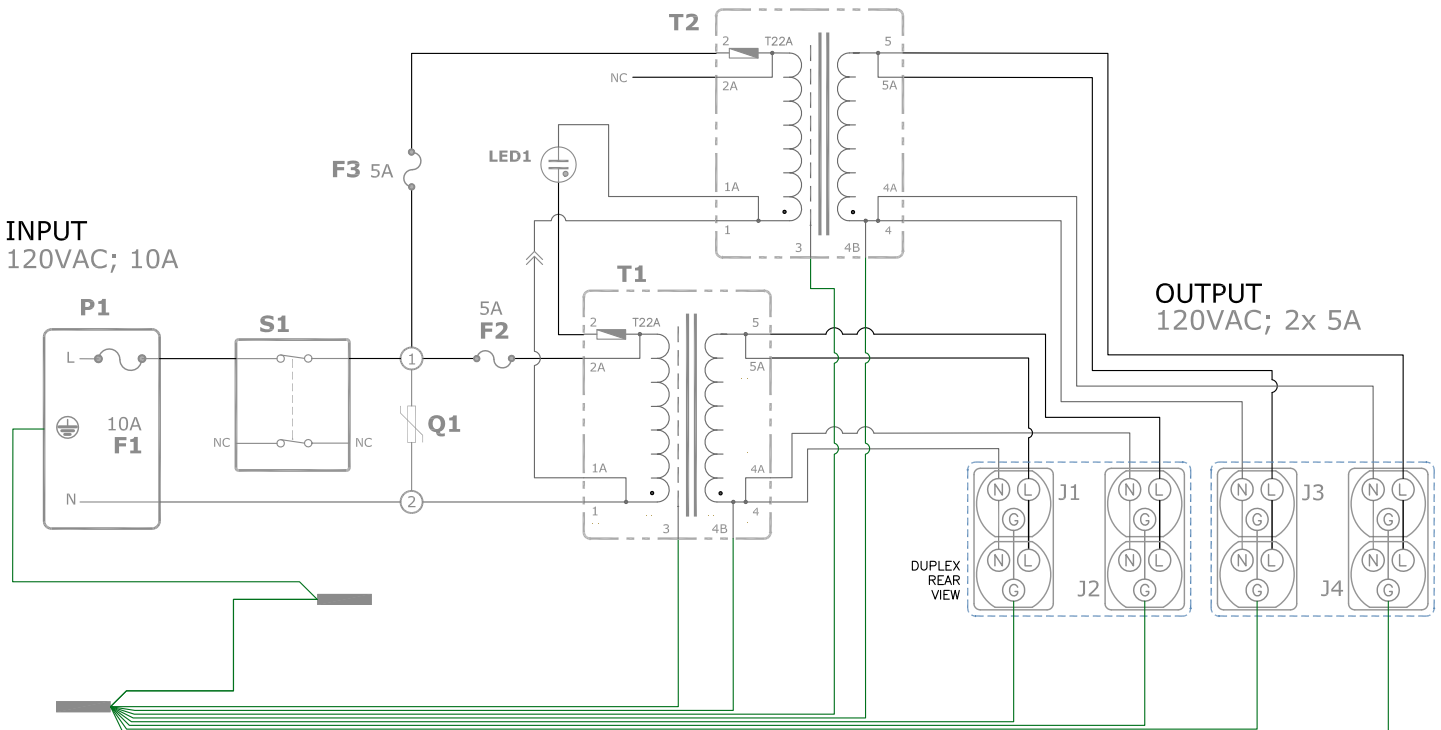
Circuit Schematic - European Model PB 4 CE



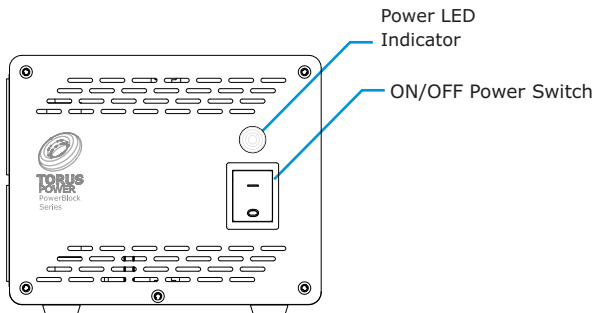
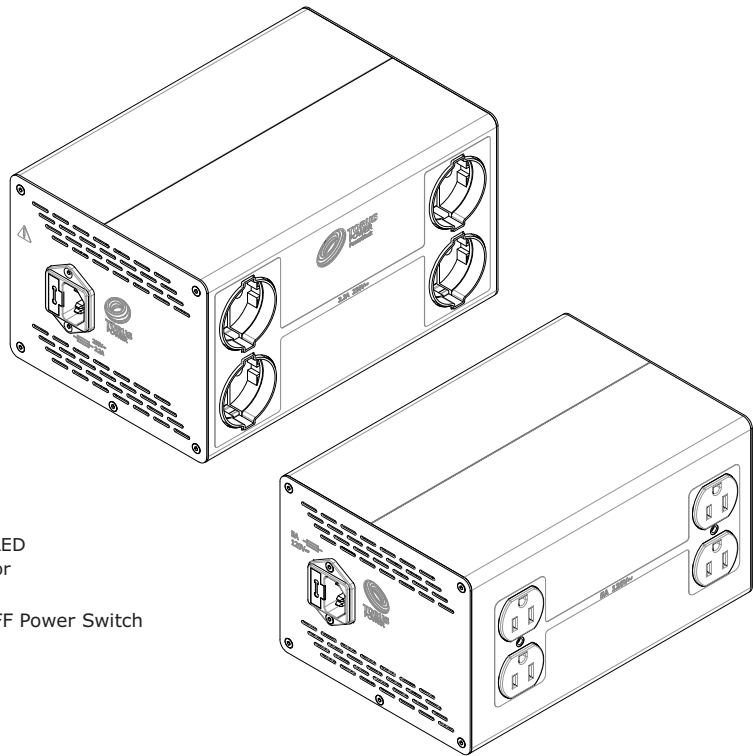
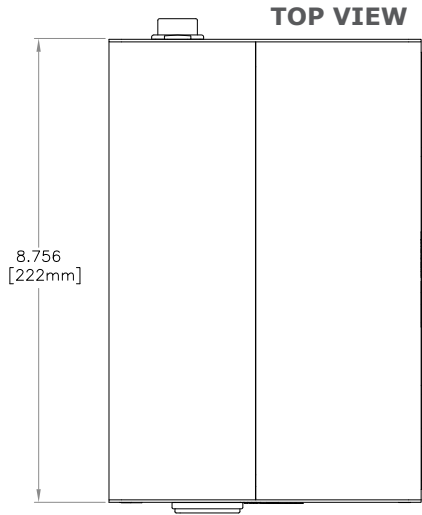
Circuit Schematic North American Model PB 5



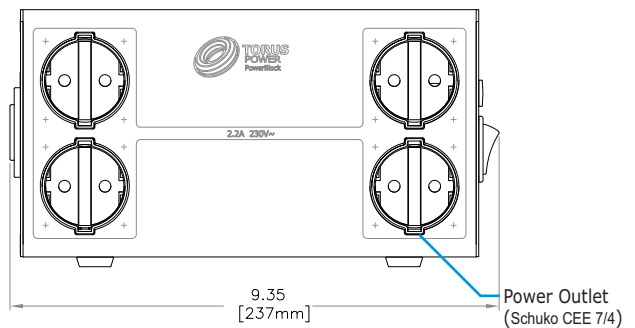
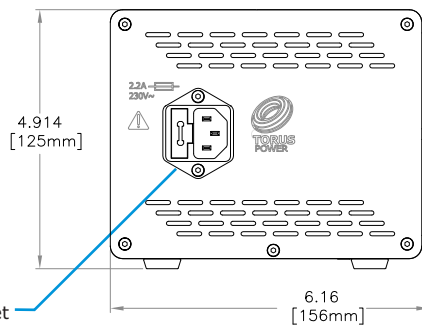
Circuit Schematic North American Model PB 10



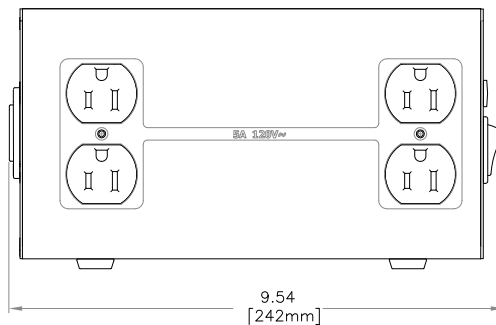
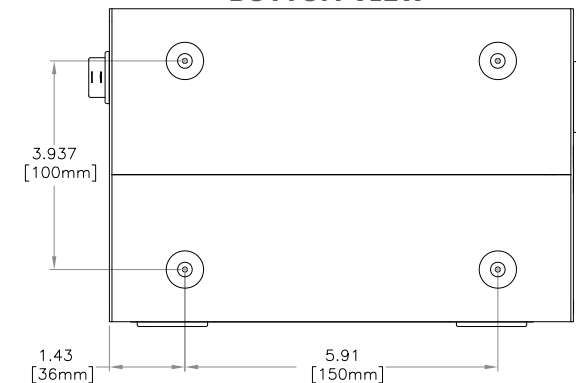
Layout: models PB 2 CE & PB 5



SIDE VIEW - RECEPTACLE SIDE



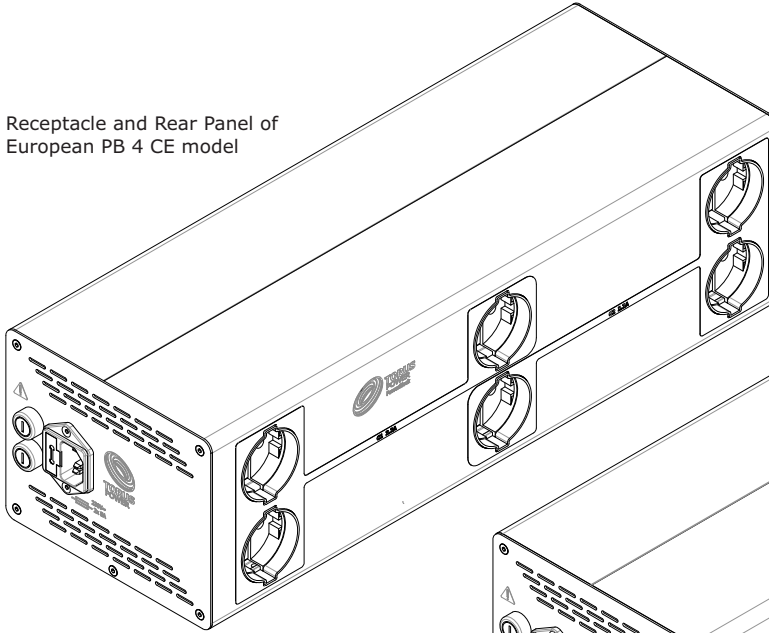
BOTTOM VIEW



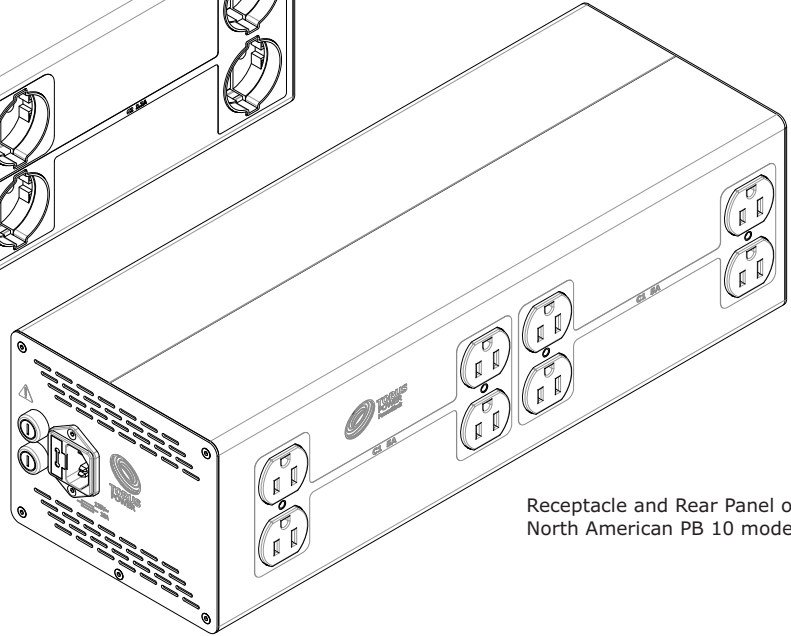
This is an installation drawing for the **PB 2 CE** and **PB 5**. The four rubber feet at the base of the unit are removable to bolt the unit to a surface.

Layout: models PB 4 CE & PB 10

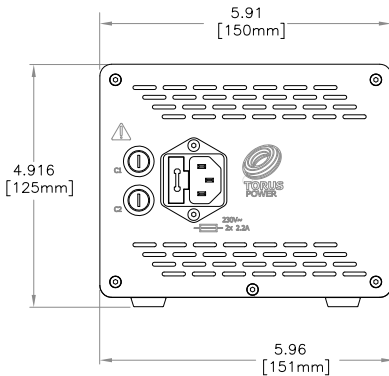
Receptacle and Rear Panel of European PB 4 CE model



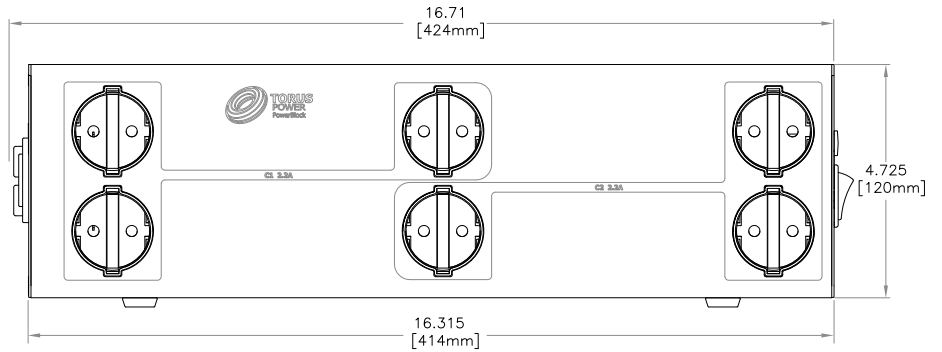
Receptacle and Rear Panel of North American PB 10 model



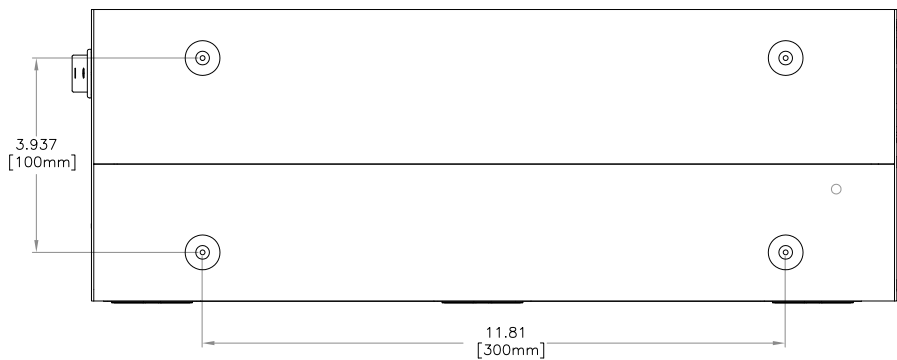
REAR VIEW



SIDE VIEW - RECEPTACLE SIDE PB 4 CE



BOTTOM VIEW



This is an installation drawing for the **PB 4 CE** and **PB 10**. The four rubber feet at the base of the unit are removable to bolt the unit to a surface.

Torus Power products are marketed worldwide by Torus Power Inc.

For sales contact:

sales@toruspower.com

Phone: (+1) 416-477-4799

Toll free: 1-877-337-9480

Technical inquiries:

tech@toruspower.com

Phone: (+1) 416-477-4799

Toll free: 1-877-337-9480



TORUS POWER

Engineered to perform & protect like no other | **Toroidal Isolation Power Transformers**

Torus Power
2861 Sherwood Heights Drive
Suite 26
Oakville, ON L6J 7K1

www.TorusPower.com

Specifications subject to change without notice.
© Torus Power 2017